

锰锌氧铁材料规格尺寸 Specification and Dimensions of MnZn Ferrite Material

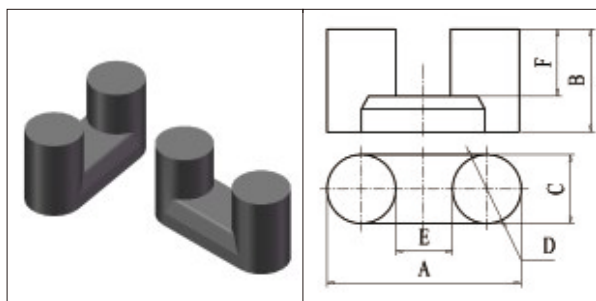


FIG.1

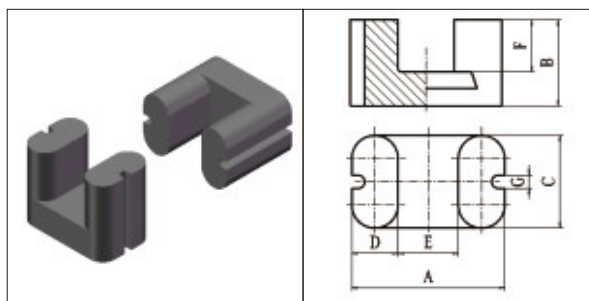


FIG.2

UY 型 / UY Core

型号 TYPE	图例 FIG.	尺寸 Dimensions (mm)					
		A	B	C	D	E	F
UY13.1/8/3.6	2	13.1±0.2	4±0.1	3.6±0.1	3.6±0.1	5.9±0.2	1.6±0.15
UY26.5/44/8A	1	26.5±0.5	22.0±0.2	7.5±0.3	7.5±0.3	11.5±0.5	16.0±0.25
UY26.5/32/10A	1	26.54±1.01	15.88+0.24/-0.26	9.4±0.25		7.75+0.5/-0.51	10.03±0.25
UY39/51/12D	1	38.55±0.5	25.6+0.25/-0.15	11.8±0.3	11.8±0.25	14.95±0.5	16.4+0.25/-0.15
UY47/50/12	1	46.7±1	25.2±0.2	12±0.3		21.7min	16±0.5
UY48/46/15B	1	48.8max	28.0±0.3		15±0.3	16.75min	16.0±0.3
UY52.5/80/32	2	52.5±1	40±0.3	32±0.6	16±0.3		25.5±0.5
UY58.8/71.6/17	3	58.76±0.9	35.8±0.2	17±0.3		25.5±0.9	21.9±0.2
UY64.5/68/24	1	64.5±1	34±0.2	24±0.4	20±0.4	24.5±0.6	20.9±0.3
UY64.5/81/24	4	64.5±1	40.5±0.2	24±0.4	20±0.4	24.5±0.6	27.4±0.3

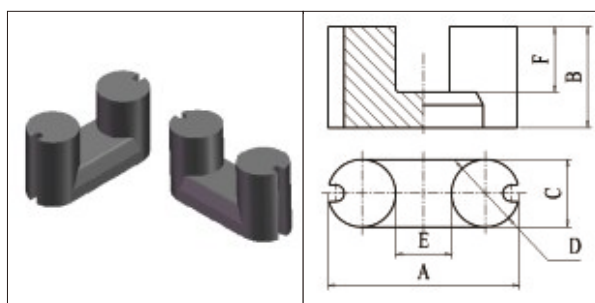


FIG.3

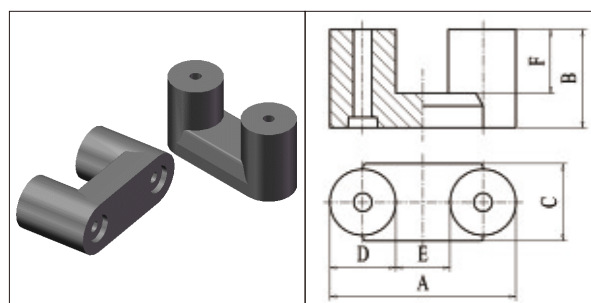


FIG.4

UY 型 / UY Core

型号 TYPE	图例 FIG.	参数 Parameters				AL(Ref)*		重量(Ref) g /PRS
		C1	Ae	Le	Ve	TP4A	TPW33	
UY13.1/8/3.6	2	3.22	9.11	29.37	267.60	600		1.28
UY26.5/44/8A	1	2.07	51.88	107.27	5565.10	1200	1550	24.50
UY26.5/32/10A	1	1.24	63.44	78.96	5009.04	2000	2500	12.00
UY39/51/12D	1	1.19	109.00	129.78	14145.50	2100	2850	82.00
UY47/50/12	1	1.12	125.99	140.79	17738.50	2000	2850	80.00
UY48/46/15B	1	0.80	177.94	141.85	25241.38	3150	4200	148.00
UY52.5/80/32	2	0.43	445.80	190.80	85058.60	6000	8400	449.99
UY58.8/71.6/17	3	0.89	220.41	196.45	43300.40	2960	3960	207.84
UY64.5/68/24	1	0.57	305.52	172.75	52777.10		5000	278.10
UY64.5/81/24	4	0.72	315.08	228.23	71912.00	3870	5190	345.18

*-Al为磁心对应参考值,具体规格以双方签订承诺书为准; AL测试条件:1kHz 0.3V 10Ts; AL单位:nH/N2

*-图例仅展示产品形状,具体细节以实物或以双方签订承诺书为准。