

锰锌氧铁材料规格尺寸 Specification and Dimensions of MnZn Ferrite Material

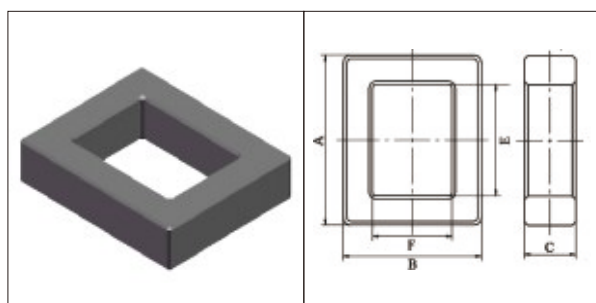


FIG.1

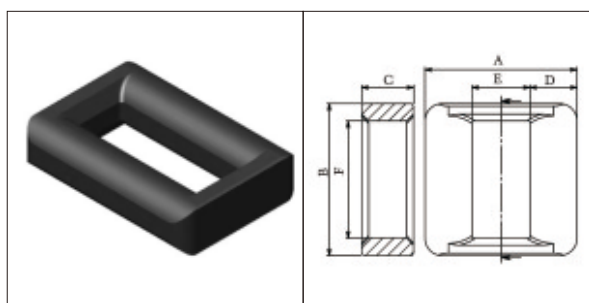


FIG.2

FT 型 / FT Core

型号 TYPE	图例 FIG.	尺寸 Dimensions (mm)					
		A	B	C	D	E	F
FT6.9/5.5/3	1	6.9±0.2	5.45±0.2	3±0.15	1.5±0.15	3.9±0.2	2.45±0.2
FT23A	1	15.0±0.2	18.8±0.2	7.0±0.2	4.0±0.1		
FT16	1	15.6±0.2	13.4±0.2	7.0±0.2	2.8±0.1		
FT17.5/24/6A	2	17.5±0.4	24±0.3	6±0.2	5.5±0.25	6.5±0.4	20±0.3
FT17.6/17.5/6A	2	17.6±0.4	17.5±0.4	6±0.2	5.45±0.25	6.7±0.3	13.5±0.3
FT18.3/19/5.5A	2	18.3±0.4	19±0.4	5.5±0.2		8.22±0.3	14±0.3
FT19/12/4.3	3	19±0.4	12±0.35	4.3±0.3		11.5±0.4	4±0.4
FT19	4	19.5±0.3	14.2±0.6	5.0±0.3	4.0±0.2	12.9min	6.8min
FT20.6B	4	20.6±0.3	14.1±0.3	4.6±0.3	4.2±0.2	15.7min	7.35min
FT21.5B	4	21.5±0.4	14.9±0.3	4.5±0.2	4.2±0.2	16.2±0.3	7.9±0.2
FT21.5E	4	21.5±0.4	15.6±0.3	3.7±0.2	3.7±0.2	15.5±0.3	6.9±0.2
FT22.8/18.1/5C	2	22.8±0.4	18.1±0.4	5±0.3	4.5±0.25	14.8±0.4	9.1±0.4
FT23/19/14	1	23±0.5	18.8±0.2	14±0.2	4±0.1	15±0.2	
FT24.4/16.1/4.6A	1	24.4±0.3	16.05±0.3	4.6±0.2	4.2±0.15	15.7min	7.35min
FT24.7/21.3/5.2B	2	24.7±0.5	21.3±0.5	5.2±0.2	4.9±0.25	15.9±0.4/-0.3	11.5±0.4
FT25.6	4	25.6±0.4	17.6±0.3	5.2±0.25	5.2±0.15	19.5min	
FT31.6/22.8/7.8	1	31.55±0.75	22.75±0.55	7.8±0.2	6.3±0.3/-0	18.5±0.9/-0	9.6±0.5/-0
FT32	1	32.0±0.5	22.8±0.5	7.9±0.2	6.5±0.2	19.0±0.4	9.6±0.4
FT16/19/5.5	2	16±0.3	19±0.5	5.4±0.2/-0.1	5±0.2	6±0.3	14.2±0.4
FT19.2/43/6.8	2	19.2±0.4	43±0.65	6.8±0.25		7±0.3	33±0.55
FT15.1/14.8/5	2	15.1±0.3	14.8±0.3	5±0.2		6.2±0.3	11.2±0.2
FT105/55/25	1	105±1.5	55±0.8	25±0.4		85±1.5	34.8±0.8
FT19.4/15/8.2	4	19.4±0.5	15±0.4	8.2±0.25	13±0.35	8.6±0.25	
FT15.7/9.9/6.4	1	15.7±0.25	9.9±0.25	6.4±0.2		10.9±0.25	4.9±0.2

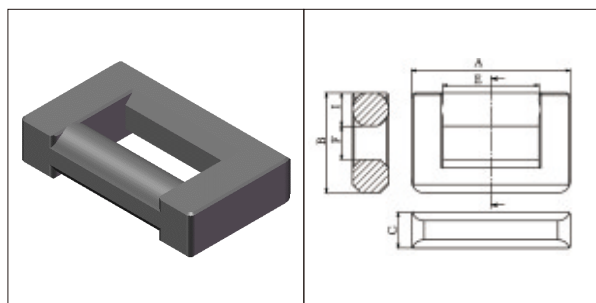


FIG.3

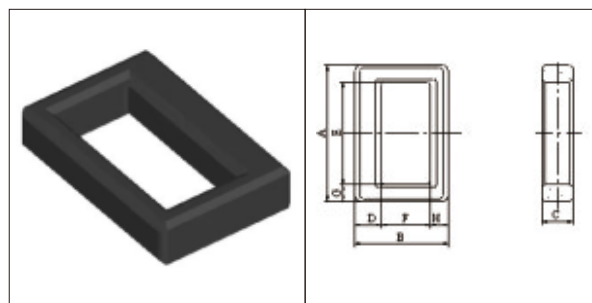


FIG.4

FT 型 / FT Core

型号 TYPE	图例 FIG.	参数 Parameters				AL(Ref)*		重量(Ref) g /PRS
		C1	Ae	Le	Ve	TS5	TS10(镜面)	
FT6.9/5.5/3	1	3.87	4.50	17.41	78.40	1700	3200	0.50
FT23A	1	2.29	28.00	64.17	1796.70	2700	5400	9.30
FT16	1	2.27	19.60	44.40	870.20	2700	5500	4.50
FT17.5/24/6A	2	3.19	17.90	57.05	1021.03	2100	3900	5.30
FT17.6/17.5/6A	2	2.76	16.74	46.14	772.20	2500	4500	4.00
FT18.3/19/5.5A	2	3.10	17.34	53.83	933.07	2200	4000	4.90
FT19/12/4.3	3	2.78	15.46	43.00	664.80	2400	4500	3.50
FT19	4	3.17	15.96	50.60	807.60	2100	3900	4.20
FT20.6B	4	4.50	11.72	52.76	618.30	1500	2800	3.20
FT21.5B	4	4.17	13.46	56.05	754.50	1600	3000	3.90
FT21.5E	4	4.06	13.41	54.48	730.50	1700	3000	3.80
FT22.8/18.1/5C	2	2.93	20.71	60.71	1257.40	2300	4200	6.50
FT23/19/14	1	1.15	56.00	64.17	3593.40	6000	10000	18.70
FT24.4/16.1/4.6A	1	3.13	19.32	60.50	1168.80	2200	4000	6.10
FT24.7/21.3/5.2B	2	3.34	20.83	69.57	1448.84	2000	3700	7.50
FT25.6	4	3.60	17.88	65.79	1176.40	1900	3400	6.10
FT31.6/22.8/7.8	1	1.56	49.85	77.62	3869.40	4400	8000	20.00
FT32	1	1.50	51.82	77.77	4029.80	4600	8300	21.00
FT16/19/5.5	2	2.54	18.52	46.96	869.60	1130	2450	9.64
FT19.2/43/6.8	2	2.46	39.31	96.88	3808.50	1810	3660	33.20
FT15.1/14.8/5	2	3.01	12.63	38.05	480.60	880	1950	6.42
FT105/55/25	1	1.09	250.00	271.41	67853.50	5680	10780	332.35
FT19.4/15/8.2	4	2.03	26.30	53.30	1401.80	2100	4500	13.96
FT15.7/9.9/6.4	1	2.49	15.77	39.29	619.60	1510	3340	2.79

*-Al为磁心对应参考值,具体规格以双方签订承诺书为准; AL测试条件:1kHz 0.3V 10Ts; AL单位:nH/N2

*-图例仅展示产品形状,具体细节以实物或以双方签订承诺书为准。